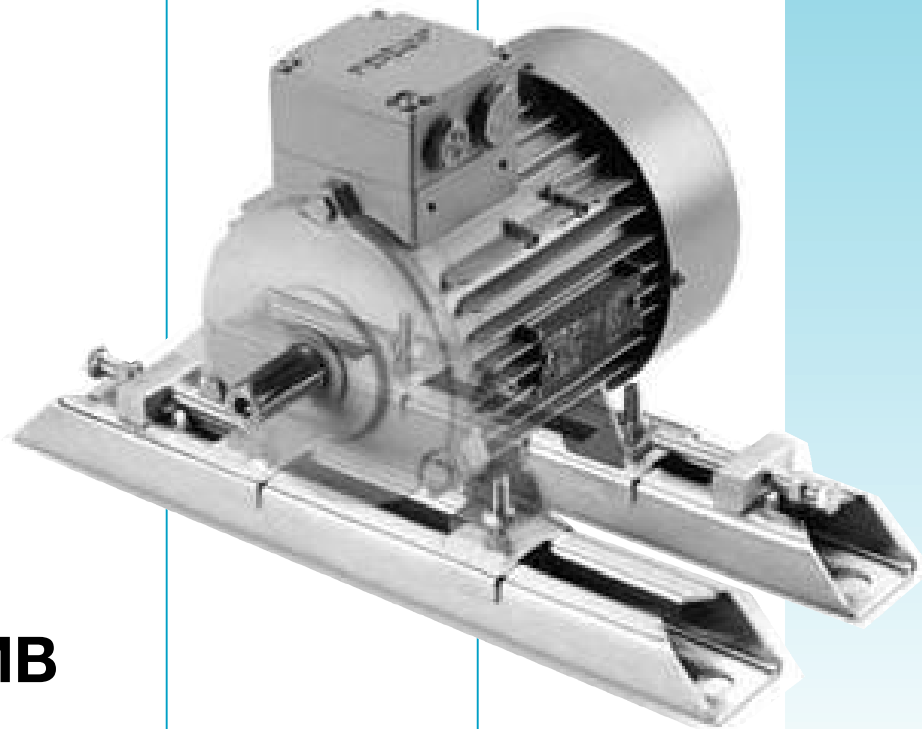
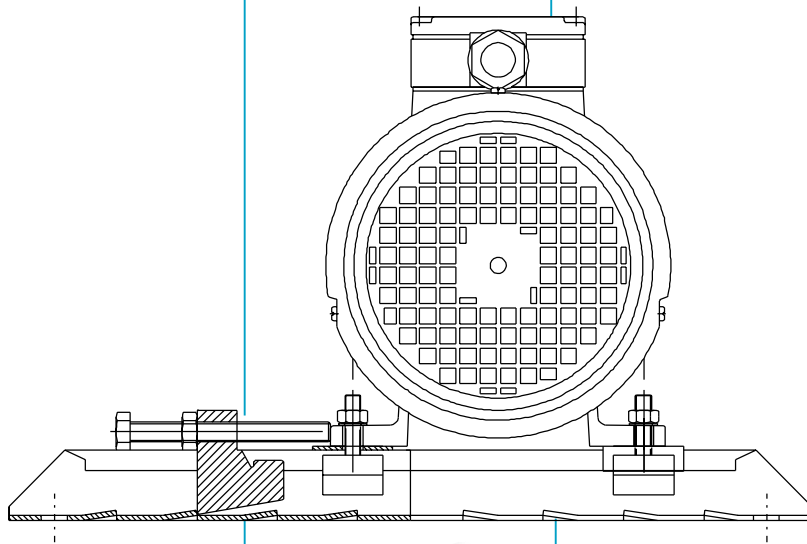


rotor nl<sup>®</sup>

# motor slide rails



type **MB**

type

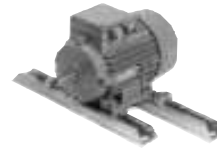
**MB 71-355**

for construction  
IEC- motor frame size

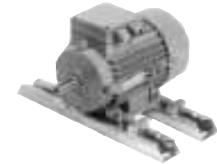
**63 - 355**

**execution**

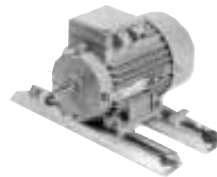
- solid, but lightweight steel construction
- optically streamlined
- surface treatment: electrolytically galvanized
- universally applicable for all IEC motor frame sizes
- entire series with replaceable packing glands
- simple assembly, few parts
- clamps and base bolts in one piece
- easy to align
- can also be welded to base construction if required



packing glands opposed, but assembly staggered (maximum possibility for adjustment)



packing glands on one side



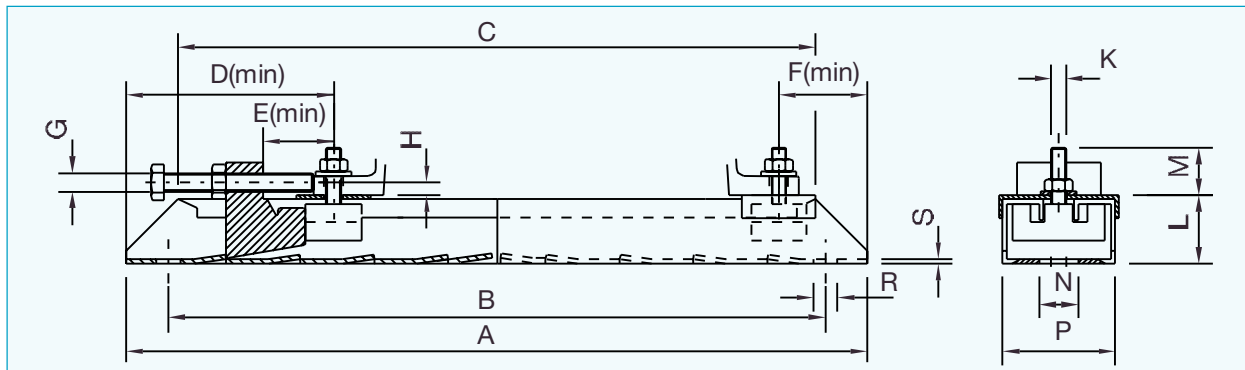
packing glands opposed

**application**

- for built up IEC design motor frame size 63 up to 355

**positioning**

- horizontal

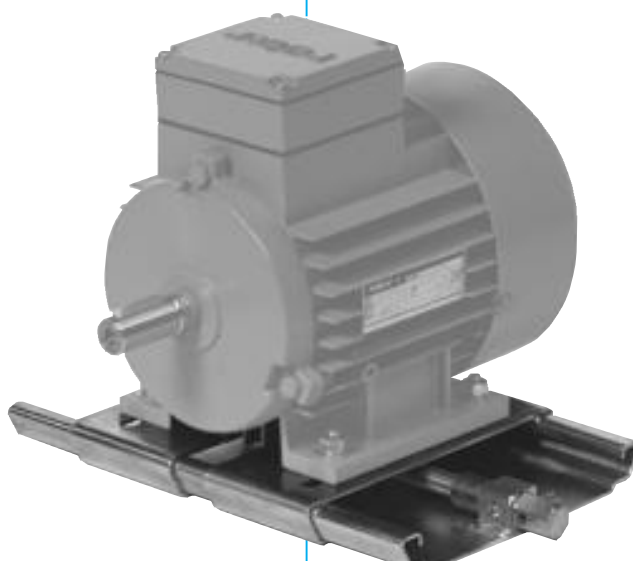
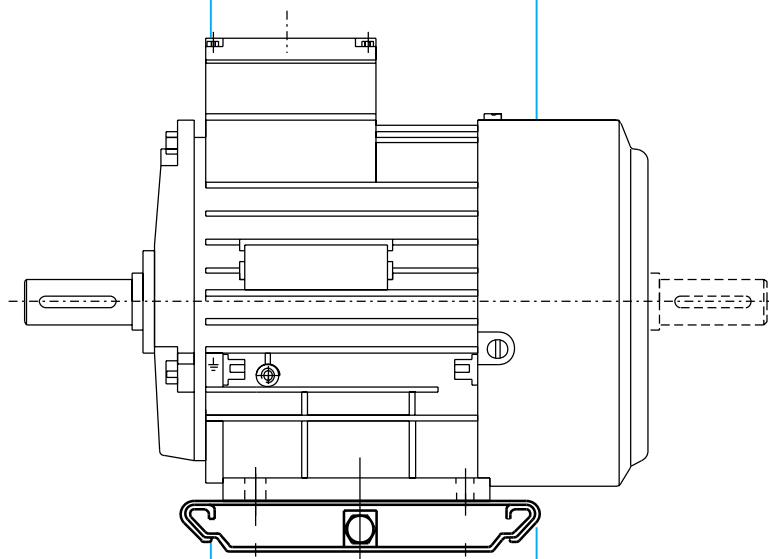


sizes in mm.

type	IEC motor frame size	A	B	C	D	E	F	G	H	K	L	M	N	P	R	S
MB71/6	56	312	280	272	98	35	38	M8	7	M6	34	25	18	51	13	2.5
	63															
	71															
MB80/8	80	375	343	336	100	35	38	M8	7	M8	34	30	18	51	13	3.5
MB90/8	80	395	355	350	115	40	40	M10	9	M8	39	30	21	61	13	3
	90															
MB100/10	100	395	355	350	115	40	40	M10	9	M10	39	35	21	61	13	3
MB112/10	100 112	495	455	450	120	40	45	M10	9	M10	39	35	21	61	13	3
MB132/10	100	530	480	470	127	42	55	M12	12	M10	44	45	26	65	17	3.5
	112															
	132															
MB160/12	160	630	580	580	130	45	55	M12	12	M12	44	50	26	65	17	3.5
MB180/12	160	700	630	650	140	45	65	M12	15	M12	46	50	26	75	17	4
	180															
MB225/16	200 225	864	800	810	150	55	75	M16	18	M16	54	65	27	82	17	5
MB280/20	250	1072	1000	1010	165	60	90	M18	20	M20	72	80	27	116	17	6
	280															
MB355/24	315	1330	1250	1280	175	62	90	M18	20	M24	72	100	27	116	17	6
	355															

# rotor nl<sup>®</sup>

## motor stretching slide rails



type **TC**

type

**TC 80-225**

for construction  
IEC- motor frame size

**56 - 225**

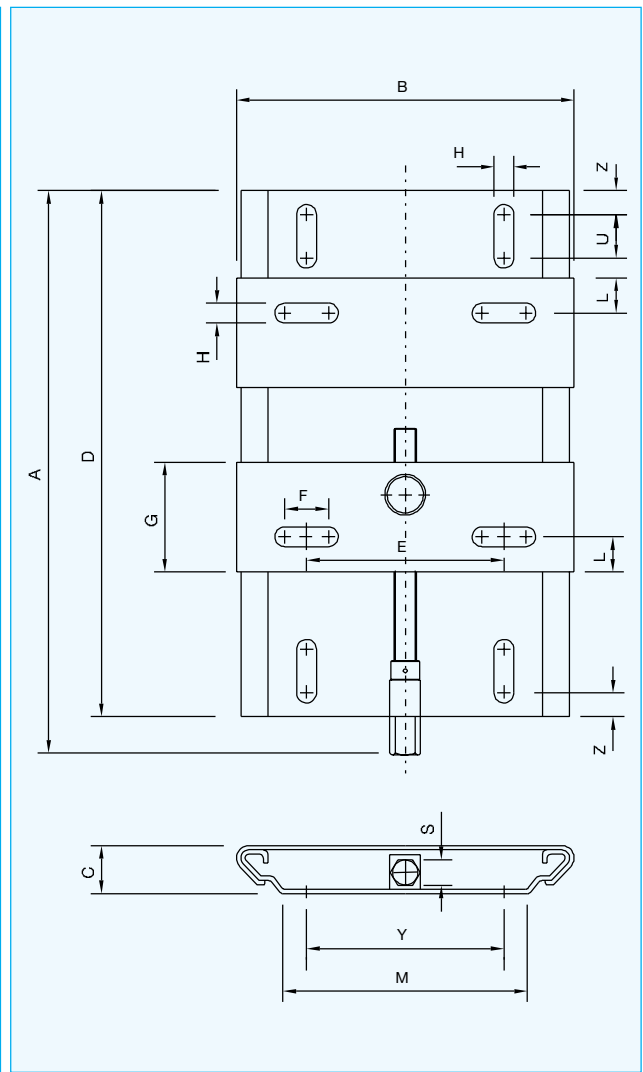
**execution**

- solid steel construction and yet light weight
- optically streamlined
- flat, compact construction
- surface treatment: galvanized
- easily alignable
- universally applicable for all types of IEC motors
- motor always adjustable (with standard wrench) without loosening the motor mounting bolts
- wide adjusting range
- for built-up IEC motors motor frame size 56 up to 180
- horizontal
- every other position (slanted, turned downward, etc.) in consultation

**application**

**positioning**

type	IEC motor frame size												
	56	63	71	80	90	100	112	132	160	180	200	225	
TC80													
TC90													
TC112													
TC132													
TC180													
TC225													



dimensions in mm.

type	A	B	C	D	E	F	G	H	L	M	Y	Z	U	S
TC80	240	154	22	220	85	25	50	9	16	113	90	25	40	15
TC90	293	180	25	270	90	45	70	9	20	134	110	25	40	16
TC112	365	220	30	340	110	43,5	85	13	23	163	130	25	50	17
TC132	430	250	35	400	134	47,5	100	13	26	185	150	25	60	22
TC180	532	380	40	500	220	60	125	15	35	305	260	25	60	24
TC225	635	448	50	600	280	55	160	18	50	338	300	30	70	27